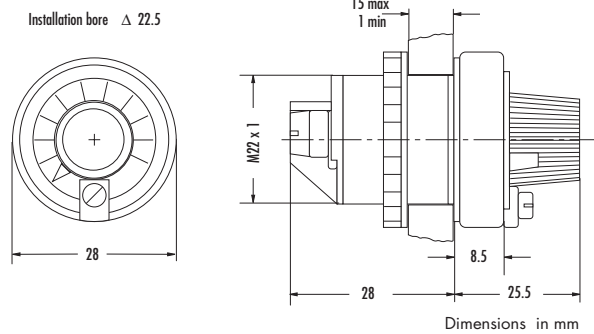


## Accessories

### Remote Potentiometer FP 10 k

Dimensions M 051-8



Material	Polybutylenterephthalat (PBT)
Behaviour in fire	to UL Subject 94 V-1
Degree of protection acc. to DIN VDE 0470 Teil 1:11.92	Front: IP 54 Terminals: IP 10
Connections	Screw connections Flat-type screw terminal with spring-loaded clamping piece
Cable cross-section	Single-core 1 or 2 x 0.75 to 2.5 mm <sup>2</sup> Finely stranded with wire-end ferrule 1 or 2 x 0.5 to 1.5 mm <sup>2</sup>
Weight	0.025 kg

## Ordering designation

### Remote Potentiometer FP 10 k

Price code: 98.1