

Incremental double Heavy Duty hollow shaft encoder

- ▶ Extremely robust housing for harsh environments
- ▶ Shock and vibration protected
- ▶ IP 66, encapsulation class
- ▶ Two galvanically separated encoders in one housing
- ▶ Short-circuit protected outputs

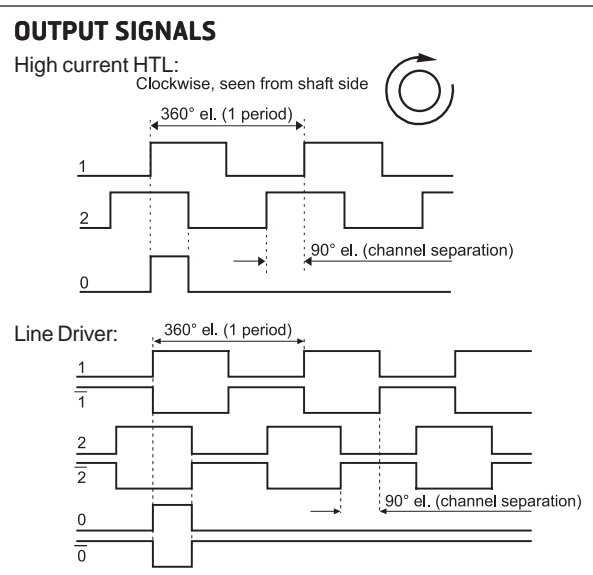
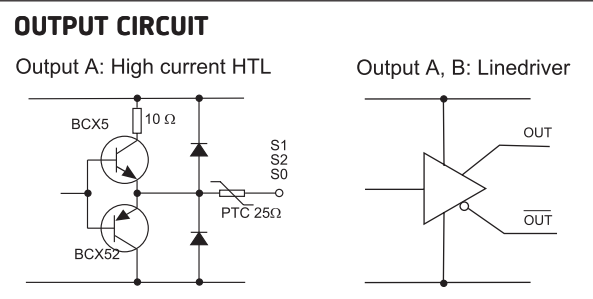


ELECTRICAL SPECIFICATION

Supply voltage +EV	9-30V	5V ±10%
	Polarity protected	---
Current consumption at no load	65mA @ 24V Max 80mA	85mA Max 155mA
Line counts	150...5000	
Standard temp	2x 500, 1000, 1024, 2048, 3072, 3600	
Extended temp	2x 4096, 5000, 6350, 8192, 10 000	
	Other pulserates, contact Leine & Linde	
Measuring steps	4 x line counts	
Accuracy	1-5000ppr	5001-10000ppr
Dividing error	± 50° el	± 90° el
Channel separation	90° ± 25° el	90° ± 45° el
Outputs	HTL	RS-422
	Short circuit protected	
Load max	± 40mA	± 20mA
Max cable length	200m @ 50kHz	1km (TIA/EIA-422-B)
U _{high} (at 10mA load)	> +EV - 4,0V	> 3,0V
U _{low} (at 10mA load)	< 2,5V	< 1,15V
Frequency range	0...100kHz	0...200kHz

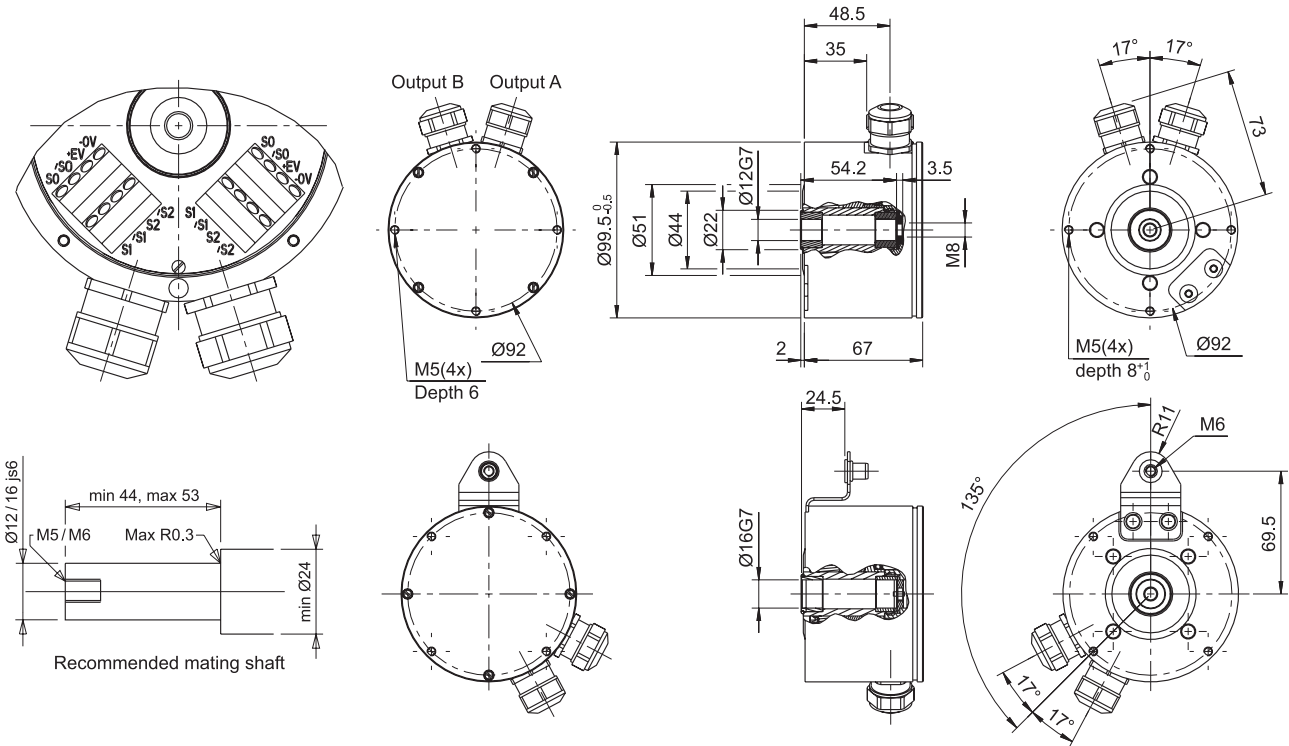
ACCESSORIES

Torque arm	
M5	Part. No. 01208013
M6	Part. No. 01208014



CONNECTION

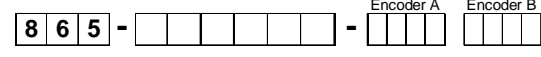
Function	Colour	12 pin EML	Terminal
1	Green	8	See drawing or label
1	White	1	
2	Black	6	
2	Yellow	5	
+ E Volt	Red	12	
0 Volt	Blue	10	
0	Brown	3	
0	Violet	4	
Case	Shield		



MECHANICAL SPECIFICATION

Isolated Hollow-shaft	Ø12, 16mm, Stainless steel / PEEK	
Moment of inertia	55 x 10 ⁻⁶ kgm ²	
Load max		
Radial	300N	
Axial	100N	
Speed max	4000 rpm	
Code disc	Standard	Extended temp
Temperature		
Operating	-25°C ... +70°C	-20°C ... +80°C
Storage	-25°C ... +70°C	-25°C ... +80°C
Housing	Aluminum, anodized	
Weight	Approx. 1300g	
Protection class	IP 66 according to IEC 60529	
Vibration	<100m/s ² (50...2000 Hz)	
Shock	<1000m/s ² (11ms)	
Cable	10x0,25mm ² twisted pair PVC	

ORDERING INFORMATION



Option

Mechanical

0 = Standard
1 = Torque bracket

Electrical (A / B)

0 = Supply 2 x 9-30V, Output 2 x HTL*
1 = Supply 9-30V / 5V, Output HTL / TTL*
2 = Supply 2 x 9-30V, Output 2 x HTL**
3 = Supply 2 x 5V, Output 2 x TTL**
4 = Supply 9-30V / 5V, Output HTL / TTL**
5 = Supply 2 x 9-30V, Output HTL / RS-422**
7 = Supply 2 x 9-30V, Output 2 x RS-422**

Hollow-shaft

7 = Ø 12 mm
8 = Ø 16 mm

Connection

1 = 2 x Connector, radial 12 pin EML CW
2 = 2 x Connector, radial 12 pin EML CCW
4 = 2 x M20 cable gland, radial Ø8-11mm
5 = 2 x M20 cable gland, radial Ø11-14mm
3 = 2 x Cable, radial 1.5 m
9 = 2 x Cable, radial xx m

Supply voltage

9 = See options

Internal use

1 = Standard 150...2500 ppr
2 = Standard 2500...5000ppr
4 = Extended temp 2 x 500, 1000, 1024, 2048, 2500, 3072, 3600, 4096, 5000, 6350, 8192, 10000ppr

Other pulserates, contact Leine & Linde for info.

Line counts