

# 861900220-222



## Heavy Duty incremental encoder

- ▶ Replaces 860900220
- ▶ Extremely robust housing for harsh environments
- ▶ 6 short-circuit protected outputs 1, 1̄, 2, 2̄, 0, 0̄
- ▶ IP 66, encapsulation class
- ▶ Electrically insulated hollow-shaft
- ▶ 9...30 Vdc
- ▶ Available with Advanced internal diagnostics, ADS



861900220-222

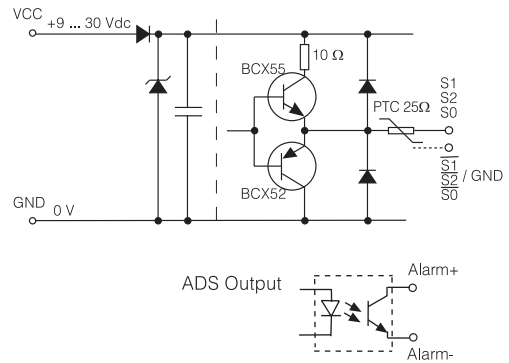
## ELECTRICAL SPECIFICATION

Supply voltage +EV	9-30V	
	Polarity protected	
Current consumption at no load	60mA @ 24V Max 80mA	
Line counts	500, 1000, 1024, 2048, 2500, 3072, 4096, 5000ppr	
Measuring steps	4 x Line counts	
Accuracy		
Dividing error	± 50° el	
Channel separation	90° ± 25° el	
Outputs	High current HTL Short circuit protected	
Load max	± 40mA	
Max cable length	350m @ 100kHz	
U <sub>high</sub> (at 40mA load)	> +EV - 4,0V	
U <sub>low</sub> (at 40mA load)	< 2,5V	
Frequency range	0...100kHz	
Option	Advanced Diagnostic System ADS	
Alarm output	Opto-coupler	
OK	Closed-circuit	V <sub>CE</sub> < 2V at 10mA
Error	Open-circuit	min 500ms
Voltage max	35V	
Current max	30mA	
PC communication	RS-232	Max 10m cable

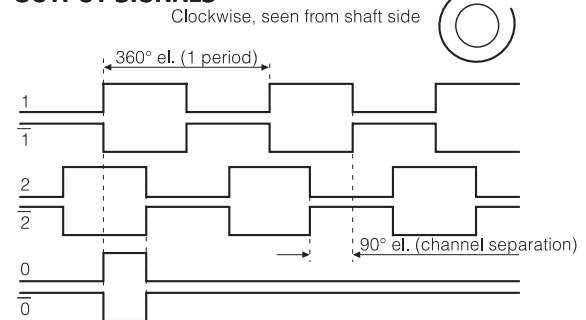
## ACCESSORIES

Torque arm	
M6	Part. No. 01208014
ADS PC software kit	Part. No. 01209084

## OUTPUT CIRCUIT



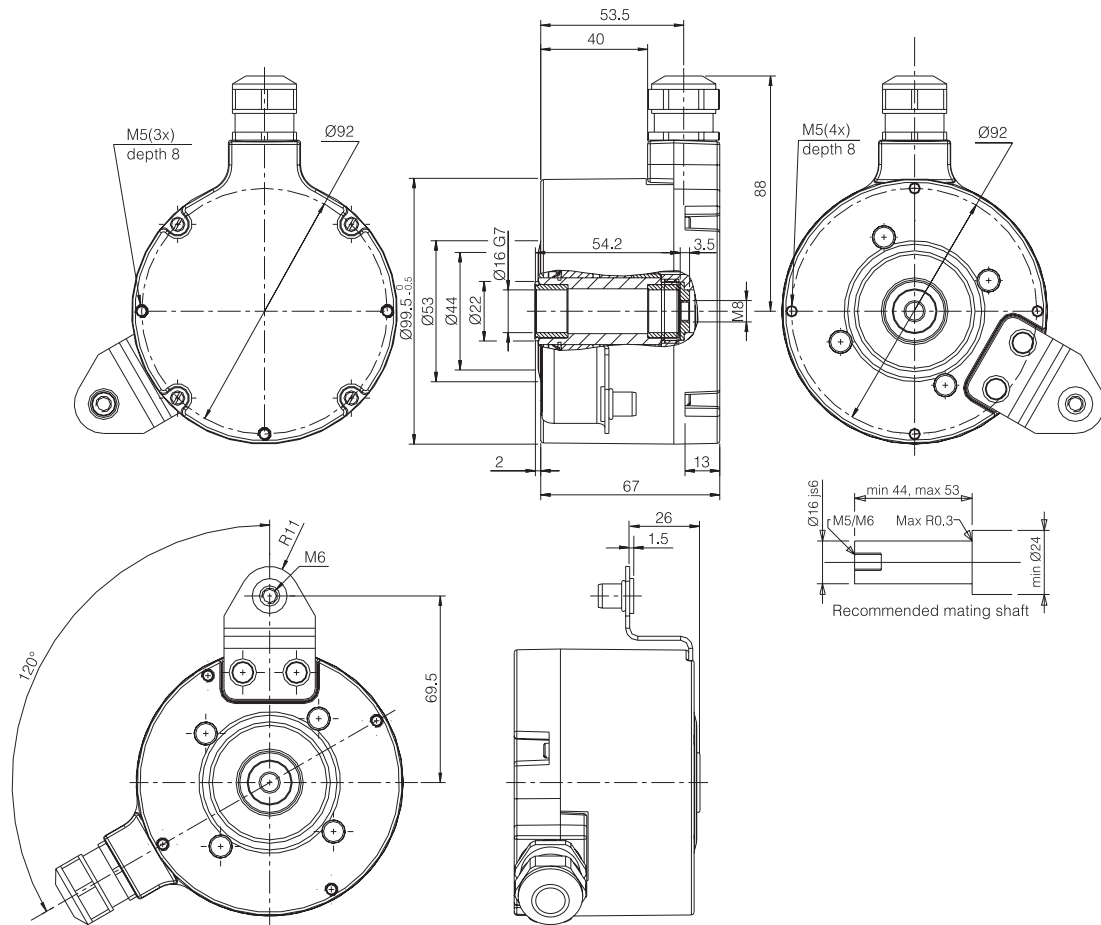
## OUTPUT SIGNALS



## CONNECTION

Function	Terminal
+ E Volt	1
0 Volt	2
0	3
0	4
1	5
1	6
2	7
2	8
Alarm +	9 ADS outputs
Alarm -	10
RXD	11
TXD	12
Case	Shield

# 861900220-222



## MECHANICAL SPECIFICATION

Isolated Hollow-shaft	Ø16mm, Stainless steel / PEEK
Moment of inertia	55 x 10 <sup>-6</sup> kgm <sup>2</sup>
Load max	
Radial	300N
Axial	100N
Speed max	4000 rpm
Code disc	Glass disc
Temperature	
Operating	-20°C ... +80°C
Storage	-25°C ... +80°C (+105°C max 1h)
Housing	Aluminum, coated
Weight	Approx. 1300g
Protection class	IP 66 according to IEC 60529
Vibration	<100m/s <sup>2</sup> (50...2000 Hz)
Shock	<1000m/s <sup>2</sup> (11ms)

## ORDERING INFORMATION

8 6 1 - 9 0 0 2 2 - [ ] [ ] [ ] [ ]

### Option

#### Electrical

0 = Standard

2 = ADS (1024, 2048 and 4096 ppr)

#### Line counts

500, 1000, 1024, 2048, 2500, 3072, 4096, 5000 ppr

Replaces model 860900220

**LEINE LINDE** ISO 9001 / ISO 14001 certified

Olivehällsvägen 8, SE-64542 Strängnäs, Sweden.

Phone: +46 (0)152 26500. Fax: +46 (0)152 26505. E-mail: info@leinelinde.se

09-05-05 PS. Specifications can be changed without prior notice.

www.leinelinde.com