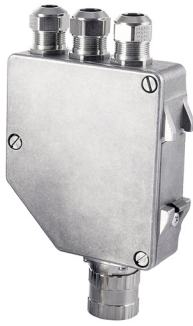


CANopen Gateway



CAN Gateway for EnDat encoders

- CANopen interface
- Compact and robust design
- IP 65 ingress protection



Electrical specification

Power supply	9-30 Vdc
Polarity protected	Yes
Current consumption, max without EnDat encoder	40 mA at 24 Vdc
Current consumption, max	80 mA at 24 Vdc
Startup delay	600 ms
Output interface	CANopen
Supported profile	Encoder profile DS406 v.3,2
Baud rate	Settable via switch, max. 1 Mbit/s
Node Address	Settable via DIP switches, 0...99
Cable length, max	500 m at 125 kbit/s
Supported encoders	<= 19 bit singleturn rotary encoder, <= 31 bit multiturn rotary encoder
Encoder interface	EnDat
Power supply	5 Vdc ±5%
Max output current to EnDat encoder	400 mA
Cable length	Max. 40 m

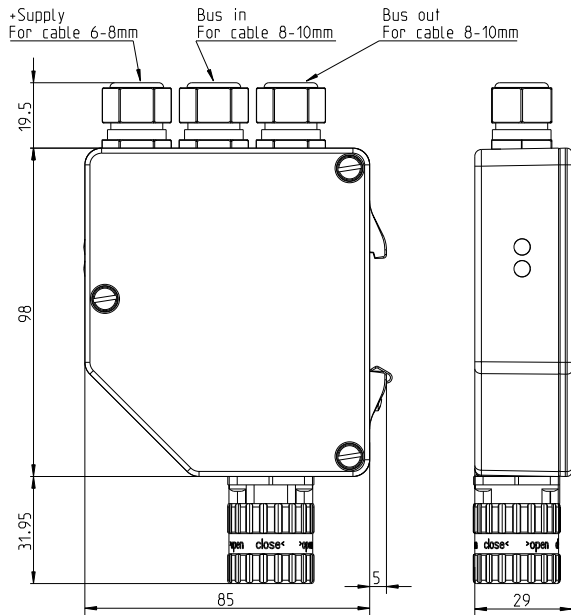
Mechanical specification

Housing	Aluminium
Weight	Approx. 400 g
Protection class	IP 65 according to IEC 60529
Temperature, operating	-30 °C .. +85 °C
Temperature, storage	-40 °C .. +85 °C
LED indication	Module and Bus
Connection, CANopen	Cable glands or M12 connectors
Connection, EnDat	17p M23
Mechanical mounting	DIN-rail or screw

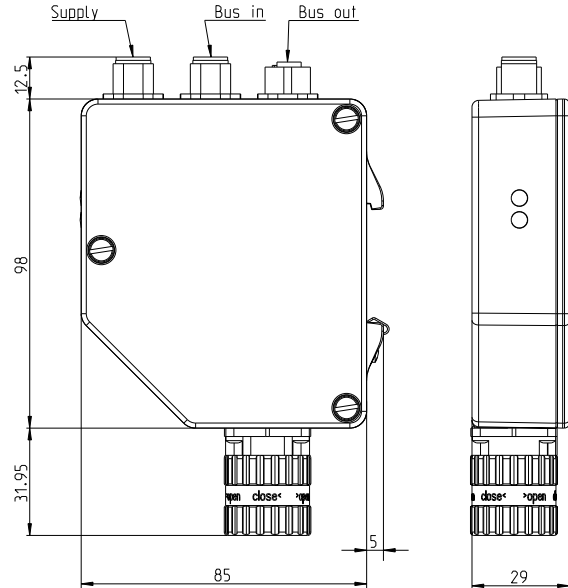
CANopen Gateway

Dimensions

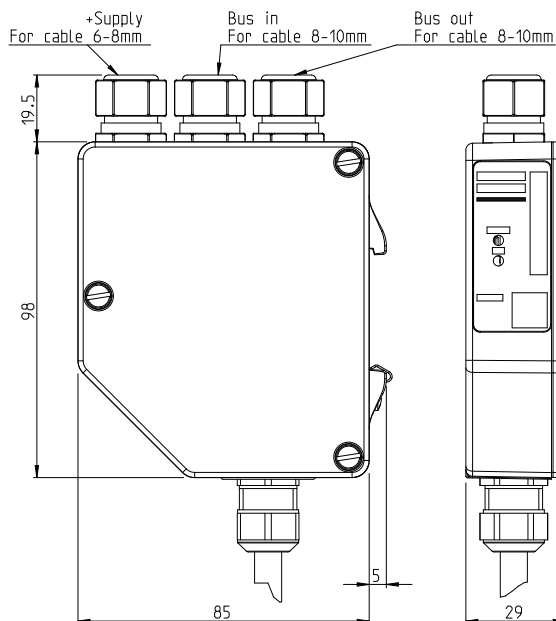
CRG CANopen cable gland x 3, M23



CRG CANopen M12 x 3, M23



CRG CANopen cable gland x 3, 2m cable/M23



Accessories

CANopen EDS file	Downloadable at www.leinelinde.com
Cable to encoder 2 m	Part no. 00201045
Cable to encoder 3 m	Part no. 00201057
Cable to encoder 20 m	Part no. 00201056
Cable to encoder free length	Part no. 01209050
Encoders	See datasheet for EnDat encoders

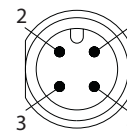
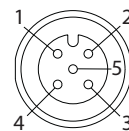
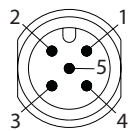
CANopen Gateway

Connection



EnDat	17 pin EML
Function	Pin
Sensor + E Volt	1
Sensor 0 Volt	4
+ E Volt	7
0 Volt	10
Clock	8
Clock inverted	9
Data	14
Data inverted	17

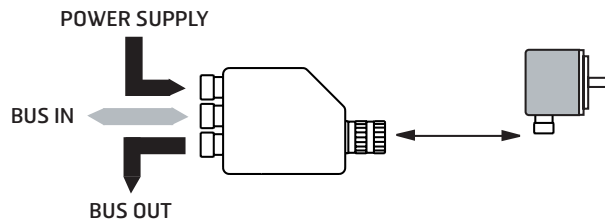
CAN	Terminal
Function	Pin
+ E Volt	1
0 Volt	2
CAN_H	3
CAN_L	4
CAN_GND	5
CAN_GND	6
CAN_L	7
CAN_H	8
0 Volt	9
+E Volt	10



CAN	M12 Bus in	M12 Bus out	M12 Power
CAN_Shield	1	1	-
CAN_GND	3	3	-
CAN_H	4	4	-
CAN_L	5	5	-
+E Volt	-	-	1
0 Volt	-	-	3

CANopen Gateway

CAN Gateway



Advantages of the Gateway concept

1. The Gateway allows the use of a small and robust encoder.
2. Cost effective exchange of encoder (no need to change the Gateway).
3. Reduction of Bus-cabling (only one cable between Gateway and encoder is needed).
4. Flexible choice of encoders as the same Gateway can be used with different encoders.
5. Advanced diagnostics integrated in the basic encoders, together with the sensing parts.
6. Allows operation of encoder in high temperature and hard environmental conditions.

Ordering information

Available models	Part no.
CRG CANopen cable gland x 3, M23 connector	1125078-01
CRG CANopen M12 x 3, M23 connector	1130379-01
CRG CANopen cable gland x 3, 2m cable/M23	1130403-01