

Incremental encoders

Through hollow shaft $\varnothing 10$ to $\varnothing 16$ mm
100...2048 pulses per revolution

TIL



TIL with through hollow shaft

Features

- Robust industry standard
- Max. 2048 pulses per revolution
- Optical sensing
- Extra large bearings for maximum life-time

Optional

- Cable with connector
- Extended operating temperature range

Technical data - electrical ratings

Voltage supply	5 VDC $\pm 5\%$ 8...26 VDC
Reverse polarity protection	Yes
Consumption w/o load	≤ 85 mA
Pulses per revolution	100...2048
Reference signal	Zero pulse, width 90°
Sensing method	Optical
Output frequency	≤ 120 kHz
Output signals	A, B, N + inverted
Output stage	Linedriver/RS422 Push-pull short-circuit proof
Interference immunity	DIN EN 61000-6-2
Emitted interference	DIN EN 61000-6-3

Technical data - mechanical design

Size (flange)	60 x 72 mm
Shaft type	$\varnothing 10$ mm (through hollow shaft) $\varnothing 12$ mm (through hollow shaft) $\varnothing 14$ mm (through hollow shaft) $\varnothing 16$ mm (through hollow shaft)
Motor shaft tolerance	0.25 mm axial 0.1 mm radial
Mounting kit	019
Protection DIN EN 60529	IP 54
Operating speed	≤ 6000 rpm
Starting torque	≤ 0.01 Nm ($+20^\circ\text{C}$)
Materials	Housing: aluminium Shaft: stainless steel
Operating temperature	$-20...+70^\circ\text{C}$
Relative humidity	90 % non-condensing
Resistance	DIN EN 60068-2-6 Vibration 10 g, 55-2000 Hz DIN EN 60068-2-27 Shock 100 g, 11 ms
Connection	Cable 1 m
Weight approx.	300 g

Subject to modification in technic and design. Errors and omissions excepted.

Incremental encoders

Through hollow shaft $\varnothing 10$ to $\varnothing 16$ mm

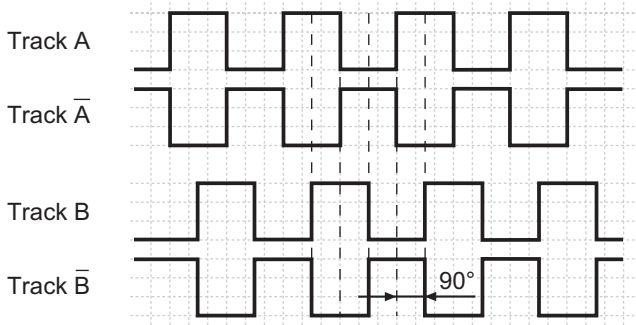
100...2048 pulses per revolution

TIL

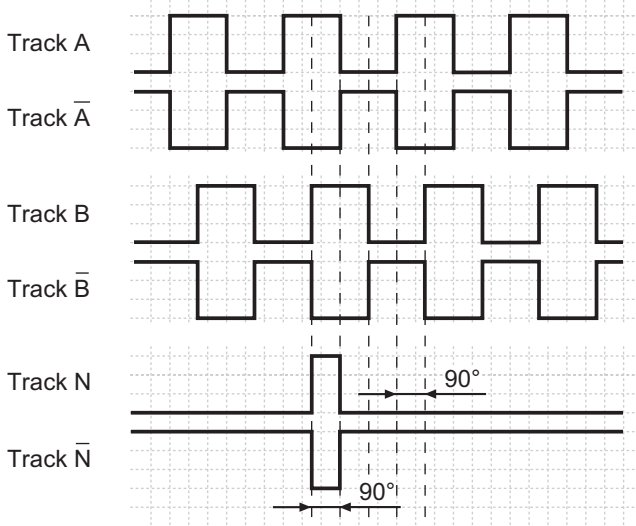
Output signals

Clockwise rotation when looking at the mounting side.

BI-Output signals



NI-Output signals



Terminal assignment

Core colour	Assignment
green	Track A
brown	Track A inv.
grey	Track B
black	Track B inv.
pink	Track N
white	Track N inv.
red	UB
blue	GND
transparent	Shield/Housing

Trigger level

Outputs	Linedriver
Output level High	≥ 2.4 V
Output level Low	≤ 0.5 V
Load	≤ 20 mA

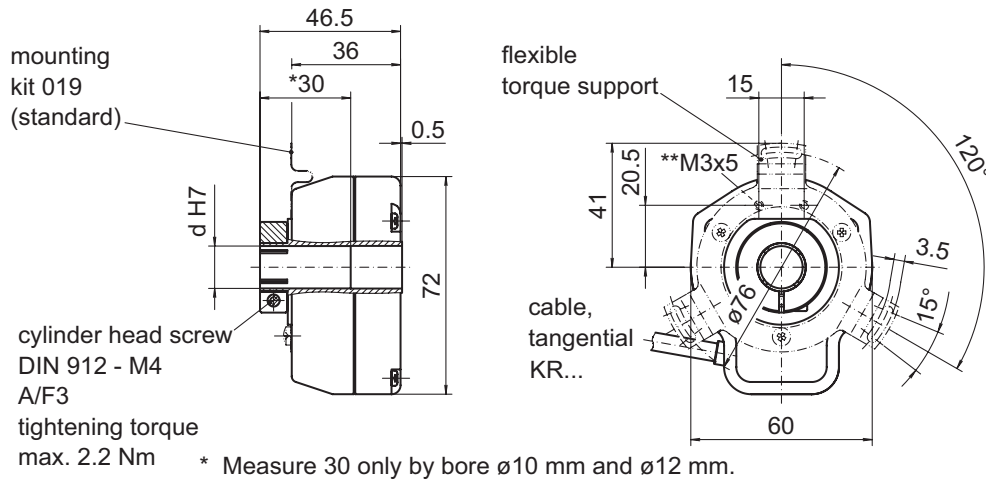
Outputs	Push-pull short-circuit proof
Output level High	$\geq UB - 3$ V
Output level Low	≤ 1.5 V
Load	≤ 20 mA

Incremental encoders

Through hollow shaft $\varnothing 10$ to $\varnothing 16$ mm
100...2048 pulses per revolution

TIL

Dimensions



* Measure 30 only by bore $\varnothing 10$ mm and $\varnothing 12$ mm.

** Mounting also for mounting kits of the ITD 2.-series possible.
With $\varnothing 16$ mm hollow shaft the assembly of the mounting kit is possible only without spacers.

036-2