

Incremental encoders

Solid shaft $\varnothing 11$ mm with EURO flange

5...60 pulses per revolution

ITD 4 B10



ITD 4 B10 with EURO flange

Features

- Encoder with solid shaft $\varnothing 11$ mm
- Max. 60 pulses per revolution
- Optical sensing method
- Centering alignment $\varnothing 85$ mm, mounting screw hole circle $\varnothing 100$ mm
- Industrial standard with centering flange
- TTL or HTL output signals
- Cable output radial or axial

Technical data - electrical ratings

Voltage supply	5 VDC ± 5 % 8...30 VDC
Reverse polarity protection	Yes
Consumption w/o load	≤ 100 mA
Pulses per revolution	5...60
Reference signal	Zero pulse, width 90°
Sensing method	Optical
Output frequency	≤ 60 kHz
Output signals	A, B, N + inverted
Output stages	TTL linedriver (short-circuit proof) HTL push-pull (short-circuit proof)
Interference immunity	DIN EN 61000-6-2
Emitted interference	DIN EN 61000-6-3

Technical data - mechanical design

Size (flange)	$\varnothing 82$ mm
Shaft type	$\varnothing 11$ mm solid shaft
Admitted shaft load	≤ 40 N axial ≤ 60 N radial
Flange	EURO flange B10
Protection DIN EN 60529	IP 65
Operating speed	≤ 12000 rpm
Starting torque	≤ 0.012 Nm ($+20^\circ\text{C}$)
Materials	Housing: aluminium Shaft: stainless steel
Operating temperature	$-20...+70^\circ\text{C}$
Relative humidity	90 % non-condensing
Resistance	DIN EN 60068-2-6 Vibration 10 g, 55-2000 Hz DIN EN 60068-2-27 Shock 100 g, 11 ms
Connection	Cable 1 m
Weight approx.	850 g

Incremental encoders

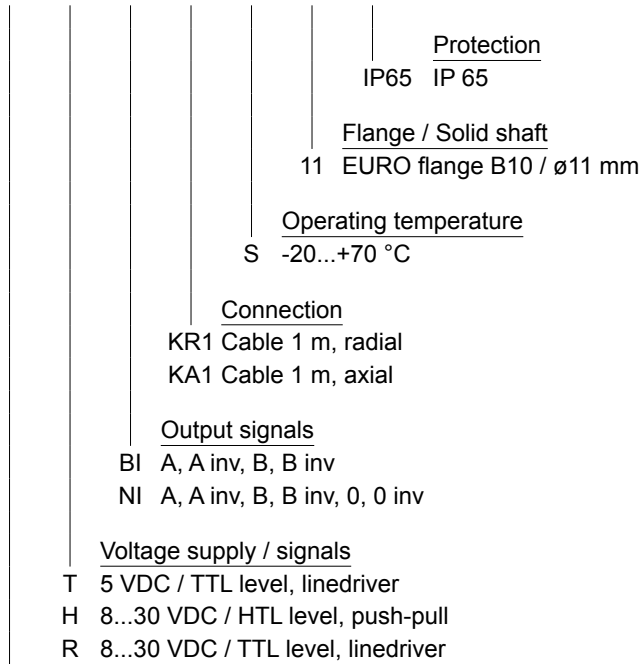
Solid shaft $\varnothing 11$ mm with EURO flange
5...60 pulses per revolution

ITD 4 B10

Part number

ITD 4 B10

				S	11	IP65
--	--	--	--	---	----	------



Pulse number - see table

Pulse number

5	16	32	60
---	----	----	----

Incremental encoders

Solid shaft $\varnothing 11$ mm with EURO flange

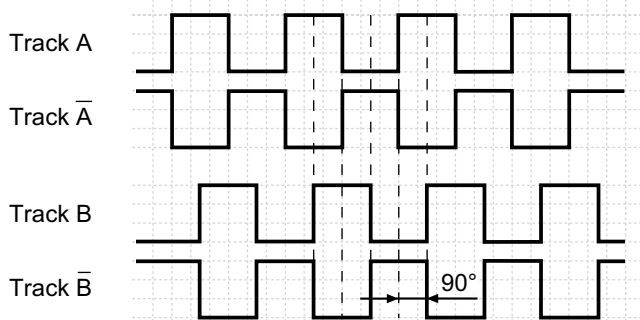
5...60 pulses per revolution

ITD 4 B10

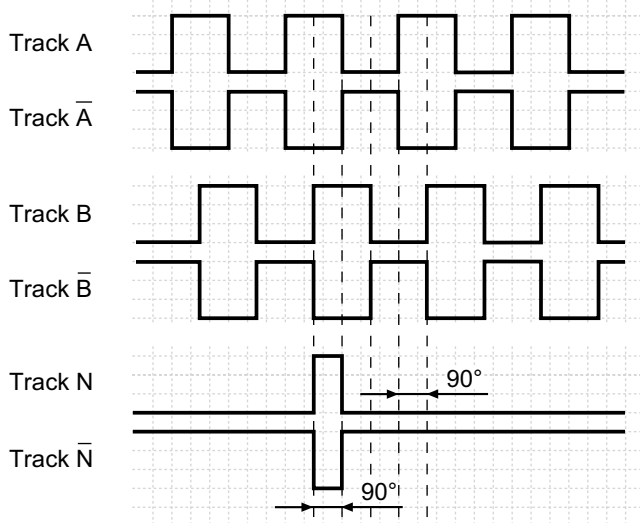
Output signals

Clockwise rotation when looking at the mounting side.

BI-Output signals



NI-Output signals



Terminal assignment

Core colour	Assignment
green	Track A
brown	Track A inv.
grey	Track B
black	Track B inv.
pink	Track N
white	Track N inv.
red	UB
blue	GND
yellow	UB-Sense
violet	GND-Sense
transparent	Shield/Housing

Trigger level

Outputs	Linedriver
Output level High	≥ 2.4 V
Output level Low	≤ 0.5 V
Load	≤ 70 mA

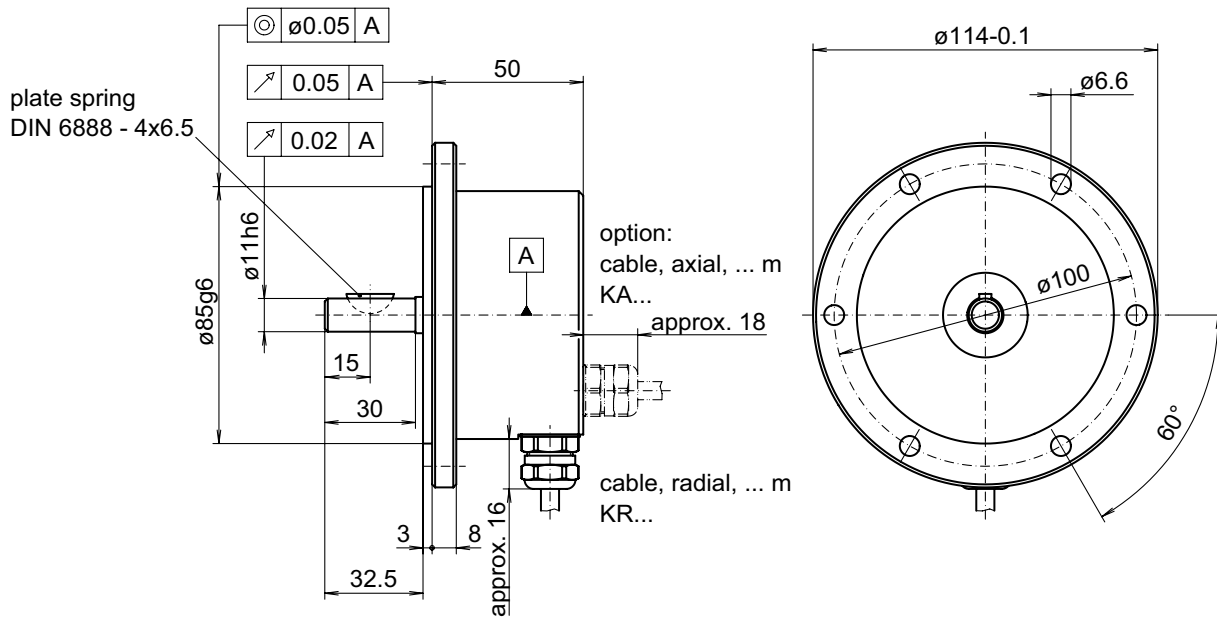
Outputs	Push-pull short-circuit proof
Output level High	$\geq UB - 3$ V
Output level Low	≤ 1.5 V
Load	≤ 70 mA

Incremental encoders

Solid shaft $\varnothing 11$ mm with EURO flange
5...60 pulses per revolution

ITD 4 B10

Dimensions



025-7