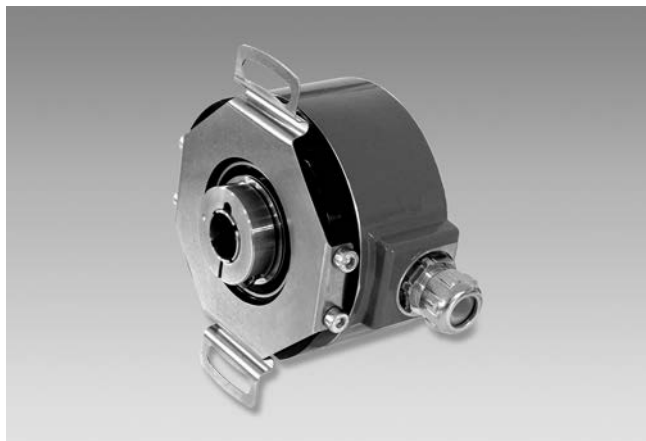


Incremental encoders

Through hollow shaft $\varnothing 14$ mm

200...2048 pulses per revolution

ITD 40 A 4 Y138



ITD 40 A 4 Y138 with through hollow shaft

Features

- Internal shock absorber, shock proof up to 500 g
- Electrically isolated for shock load protection
- Encoder with through hollow shaft $\varnothing 14$ mm
- Max. 2048 pulses per revolution
- Mounting by torque support
- TTL or HTL output signals
- Cable output radial

Optional

- Cable with connector

Technical data - electrical ratings

Voltage supply	5 VDC ± 5 % 8...30 VDC
Reverse polarity protection	Yes
Consumption w/o load	≤ 100 mA
Pulses per revolution	200...2048
Reference signal	Zero pulse, width 90°
Sensing method	Optical
Output frequency	≤ 120 kHz
Output signals	A, B, N + inverted
Output stages	TTL linedriver (short-circuit proof) HTL push-pull (short-circuit proof)
Interference immunity	DIN EN 61000-6-2
Emitted interference	DIN EN 61000-6-3

Technical data - mechanical design

Size (flange)	$\varnothing 80$ mm
Shaft type	$\varnothing 14$ mm (through hollow shaft)
Motor shaft tolerance	0.25 mm axial 0.1 mm radial
Mounting kit	086
Protection DIN EN 60529	IP 65
Operating speed	≤ 5000 rpm
Starting torque	≤ 0.015 Nm (+20 °C)
Materials	Housing: aluminium, blue, powder-coated Shaft: stainless steel
Operating temperature	-20...+70 °C
Relative humidity	90 % non-condensing
Resistance	DIN EN 60068-2-6 Vibration 100 g, 55-2000 Hz DIN EN 60068-2-27 Shock 500 g, 11 ms
Connection	Cable 1 m
Weight approx.	600 g

Subject to modification in technic and design. Errors and omissions excepted.

Incremental encoders

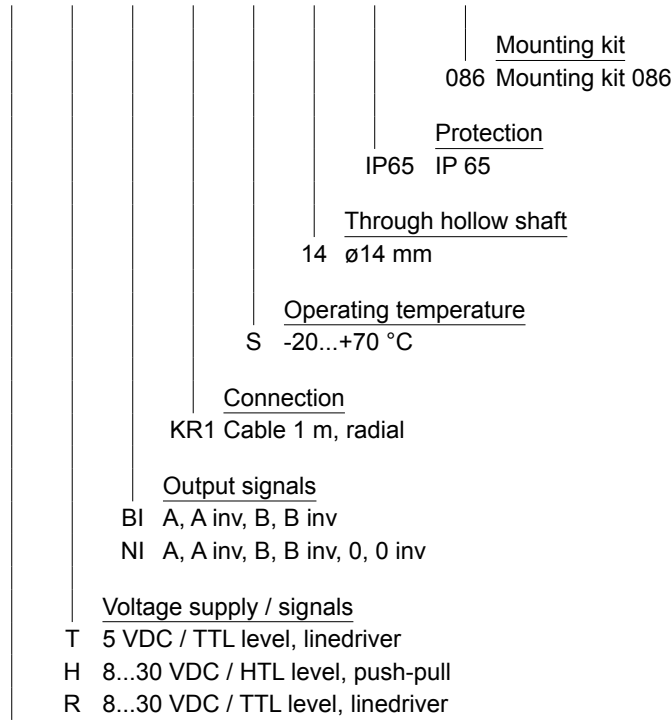
Through hollow shaft $\varnothing 14$ mm
200...2048 pulses per revolution

ITD 40 A 4 Y138

Part number

ITD 40 A 4 Y138

			KR1	S	14	IP65	086
--	--	--	-----	---	----	------	-----



Pulse number - see table

Pulse number

200	500	720	1024
360	512	1000	2048

Incremental encoders

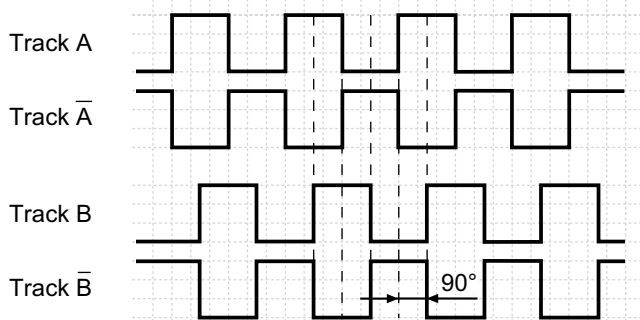
Through hollow shaft $\varnothing 14$ mm
200...2048 pulses per revolution

ITD 40 A 4 Y138

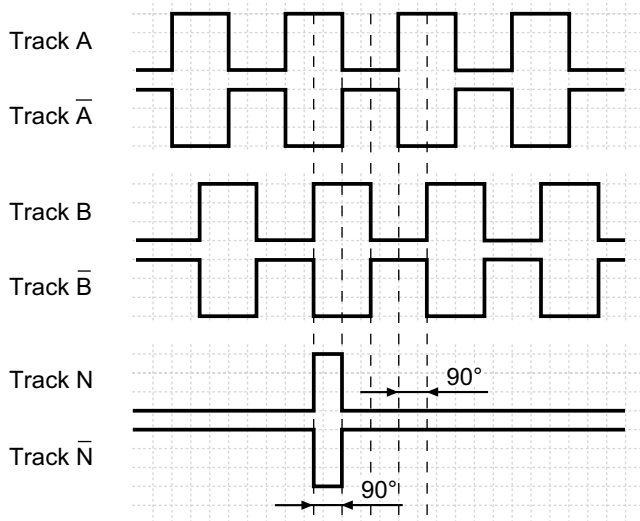
Output signals

Clockwise rotation when looking at the mounting side.

BI-Output signals



NI-Output signals



Terminal assignment

Core colour	Assignment
brown	Track A
green	Track A inv.
grey	Track B
pink	Track B inv.
red	Track N
black	Track N inv.
brown 0,5 mm ²	UB
white 0,5 mm ²	GND
blue	UB-Sense
white	GND-Sense
transparent	Shield/Housing

Trigger level

Outputs	Linedriver
Output level High	≥ 2.4 V
Output level Low	≤ 0.5 V
Load	≤ 70 mA

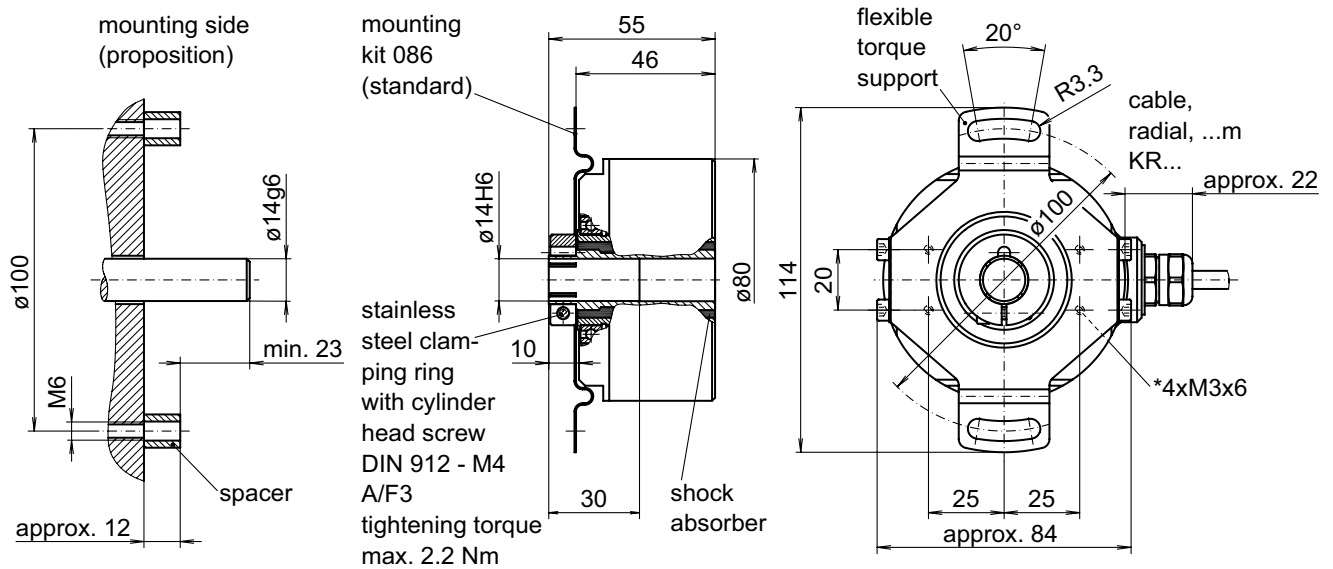
Outputs	Push-pull short-circuit proof
Output level High	$\geq UB - 3$ V
Output level Low	≤ 1.5 V
Load	≤ 70 mA

Incremental encoders

Through hollow shaft $\varnothing 14$ mm
200...2048 pulses per revolution

ITD 40 A 4 Y138

Dimensions



026- 5 Y138